

MEMORANDUM

TO: James Carter  
News Director

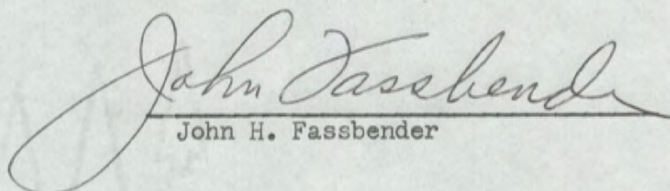
FROM: John H. Fassbender  
Supt. of Bldg. Maint.

DATE: April 18, 1979

SUBJECT: Proofing Tables

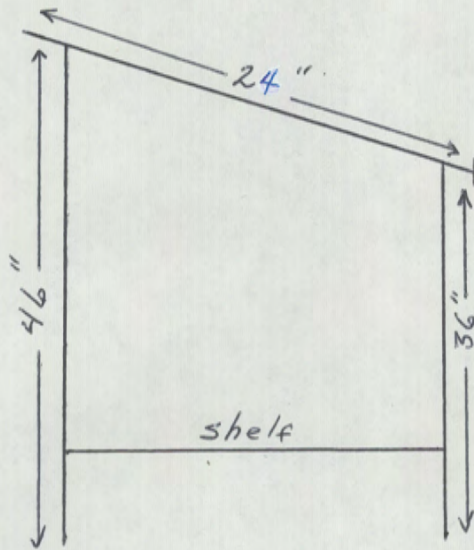
As per your request for the construction of a light table, 12 feet long, I submit to you an estimate in the close neighborhood of \$200.00. As we discussed in our telephone conversation, in order to move the table to your office or to any other area in the Administration Building, it would be better to construct two (2) tables, each six feet long.

We also discussed, and you stated that you had been made aware through Mr. Hellman's office, that these tables would have to be constructed on a non-priority basis and be made when time permits. You would have to proceed via the work order system by submitting a request through the Physical Plant Director's office. If in fact this did become a work order we would proceed to procure the materials and work on them "a little today" and "a little tomorrow" whenever we may have the time to cut and fabricate the same.

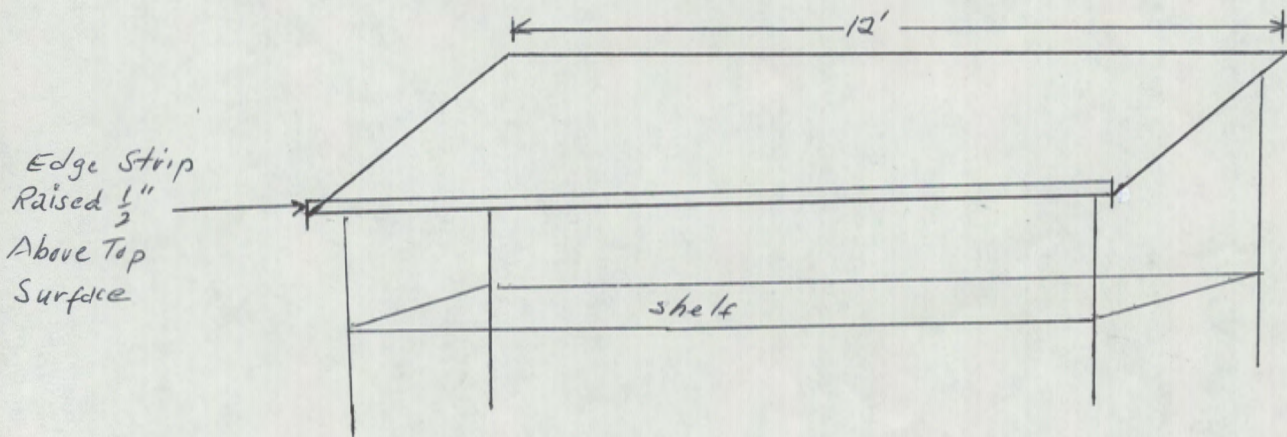
  
John H. Fassbender

cc: Bruce Raudio  
File

# Nishnawbe News - Layout Table ♀



END VIEW.



FRONT VIEW.